

# Stewardship

What does this mean and what does it look like?

Matthew 25:14-30

“The parable of the faithful servants”

Matthew 25: 14-30 NIV

**14** "Again, it will be like a man going on a journey, who called his servants and entrusted his property to them. **15** To one he gave five talents of money, to another two talents, and to another one talent, each according to his ability. Then he went on his journey. **16** The man who had received the five talents went at once and put his money to work and gained five more.

**17** So also, the one with the two talents gained two more. **18** But the man who had received the one talent went off, dug a hole in the ground and hid his master's money. **19** "After a long time the master of those servants returned and settled accounts with them. **20** The man who had received the five talents brought the other five. 'Master,' he said, 'you entrusted me with five talents. See, I have gained five more.'

**21** "His master replied, 'Well done, good and faithful servant! You have been faithful with a few things; I will put you in charge of many things. Come and share your master's happiness!' **22** "The man with the two talents also came. 'Master,' he said, 'you entrusted me with two talents; see, I have gained two more.' **23** "His master replied, 'Well done, good and faithful servant! You have been faithful with a few things; I will put you in charge of many things.'

Come and share your master's happiness!' **24** "Then the man who had received the one talent came. 'Master,' he said, 'I knew that you are a hard man, harvesting where you have not sown and gathering where you have not scattered seed. **25** So I was afraid and went out and hid your talent in the ground. See, here is what belongs to you.'

**26**"His master replied, 'You wicked, lazy servant! So you knew that I harvest where I have not sown and gather where I have not scattered seed? **27** Well then, you should have put my money on deposit with the bankers, so that when I returned I would have received it back with interest.'

**28** " 'Take the talent from him and give it to the one who has the ten talents. **29** For everyone who has will be given more, and he will have an abundance. Whoever does not have, even what he has will be taken from him. **30** And throw that worthless servant outside, into the darkness, where there will be weeping and gnashing of teeth.'

What are some aspects of Stewardship?

What do you think of when Stewardship is mentioned?



What are some aspects of Stewardship?

What do you think of when Stewardship is mentioned?

- Material things in our possession?

What are some aspects of Stewardship?

What do you think of when Stewardship is mentioned?

- Material things in our possession?
- Skills and talents?

What are some aspects of Stewardship?

What do you think of when Stewardship is mentioned?

- Material things in our possession?
- Skills and talents?
- Money or other commodities?

What are some aspects of Stewardship?

What do you think of when Stewardship is mentioned?

- Material things in our possession?
- Skills and talents?
- Money or other commodities?
- Time?

Who created all things?

# Who created all things?

- God created and presides over all things, of course, as described in Genesis and throughout scripture.

# Who created all things?

- God created and presides over all things, of course, as described in Genesis and throughout scripture.

# Why do I feel like things belong to me and that I am in control?

# Who created all things?

- God created and presides over all things, of course, as described in Genesis and throughout scripture.

# Why do I feel like things belong to me and that I am in control?

- Dominion - Genesis 1:26



# Who created all things?

- God created and presides over all things, of course, as described in Genesis and throughout scripture.

# Why do I feel like things belong to me and that I am in control?

- Dominion - Genesis 1:26
- God gave us things to “oversee”.

# Who created all things?

- God created and presides over all things, of course, as described in Genesis and throughout scripture.

# Why do I feel like things belong to me and that I am in control?

- Dominion - Genesis 1:26
- God gave us things to “oversee”.
- Being separated from God by sin allows
- pride to take over.

# Who created all things?

- God created and presides over all things, of course, as described in Genesis and throughout scripture.

# Why do I feel like things belong to me and that I am in control?

- Dominion - Genesis 1:26
- God gave us things to “oversee”.
- Being separated from God by sin allows pride to take over.
- Oversight “feels like” ownership.

# Who created all things?

- God created and presides over all things, of course, as described in Genesis and throughout scripture.

## Why do I feel like things belong to me and that I am in control?

- Dominion - Genesis 1:26
- God gave us things to “oversee”.
- Being separated from God by sin allows pride to take over.
- Oversight “feels like” ownership.
  
- Job 1:21 It’s not really yours and you can’t take it with you.

Take a look at the reward for each faithful servant in the parable...

Take a look at the reward for each faithful servant in the parable...

- Reward for the 1<sup>st</sup> faithful servant “Come and share your master’s happiness!”

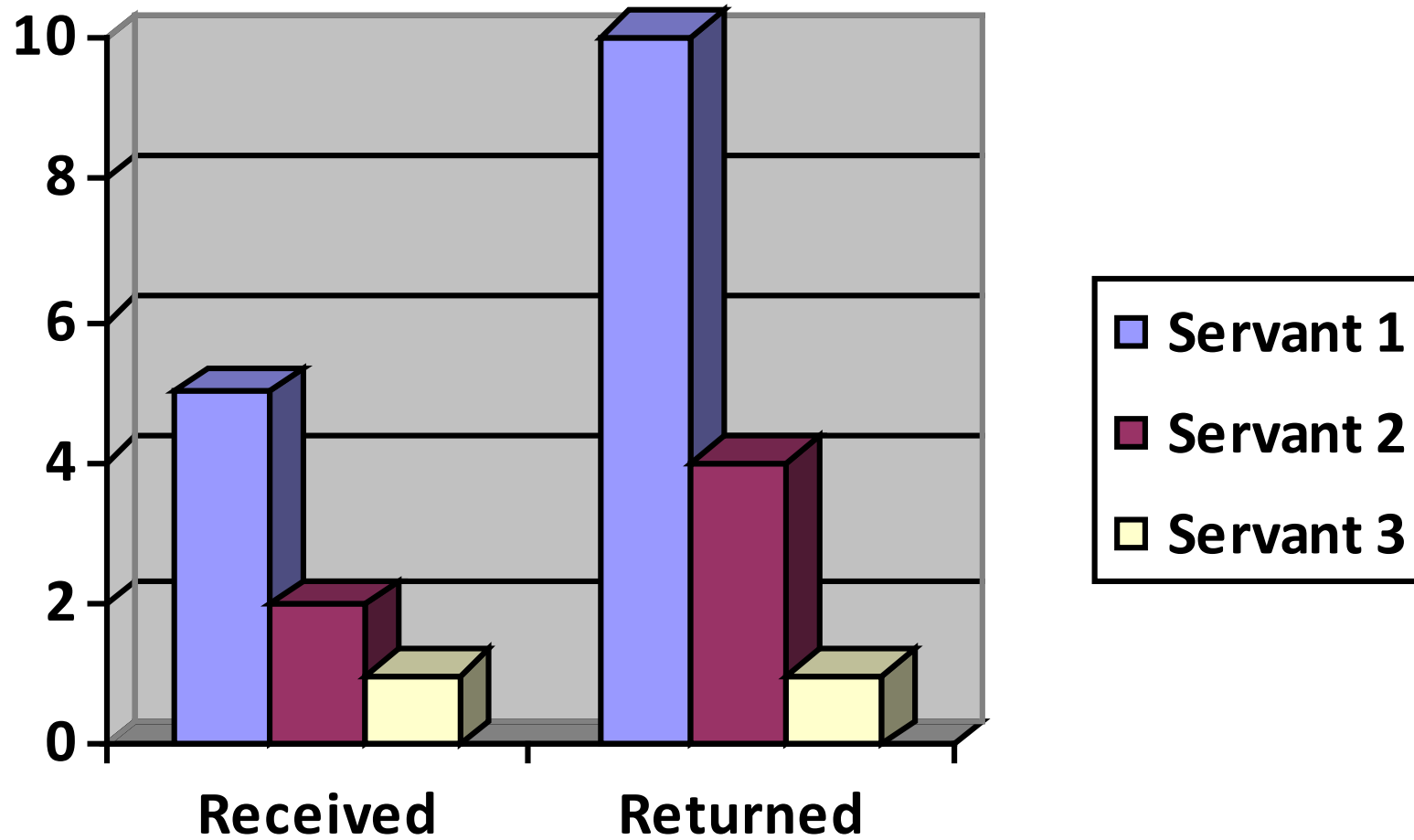
Take a look at the reward for each faithful servant in the parable...

- Reward for the 1<sup>st</sup> faithful servant “Come and share your master’s happiness!”
- Reward for the 2<sup>nd</sup> faithful servant “Come and share your master’s happiness!”

Take a look at the reward for each faithful servant in the parable...

- Reward for the 1<sup>st</sup> faithful servant “Come and share your master’s happiness!”
- Reward for the 2<sup>nd</sup> faithful servant “Come and share your master’s happiness!”
- What’s different for these two? To us it looks like they had a different performance level.





But in fact the results are the same... 100%

Servant 1 = 100% return

- Well done!

Servant 2 = 100% return

- Well done!

Servant 3 = 0% return

- Not so well done

Look again reward for the faithful servants.

Look again reward for the faithful servants.

- Reward for the 1<sup>st</sup> faithful servant

Look again reward for the faithful servants.

- Reward for the 1<sup>st</sup> faithful servant

“Come and share your master’s happiness!”

Look again reward for the faithful servants.

- Reward for the 1<sup>st</sup> faithful servant

“Come and share your master’s happiness!”

- Reward for the 2<sup>nd</sup> faithful servant

Look again reward for the faithful servants.

- Reward for the 1<sup>st</sup> faithful servant

“Come and share your master’s happiness!”

- Reward for the 2<sup>nd</sup> faithful servant

“Come and share your master’s happiness!”

The reward is the SAME!



The reward is the SAME!

“Come and share your master’s happiness!”

# The reward is the SAME!

“Come and share your master’s happiness!”

The reward is the joy of joining the Master in his happiness, just as he designed it.

The Church is known by love for each other.

John 13:34 – 35 34

"A new command I give you: Love one another. As I have loved you, so you must love one another. **35** By this all men will know that you are my disciples, if you love one another."

The Church is known by love for each other.

The Church is known by love for each other.

John 13:34 – 35 34

"A new command I give you: Love one another. As I have loved you, so you must love one another. **35** By this all men will know that you are my disciples, if you love one another."

Let's take another look...

Let's take another look...

Stewardship:

Let's take another look...

Stewardship:

Using what God has placed in our hands, for his glory, results in...



Fellowship:

# Fellowship:

The body of Christ (the Church) is edified and strengthened through good stewardship... which also results in...

Relationship:

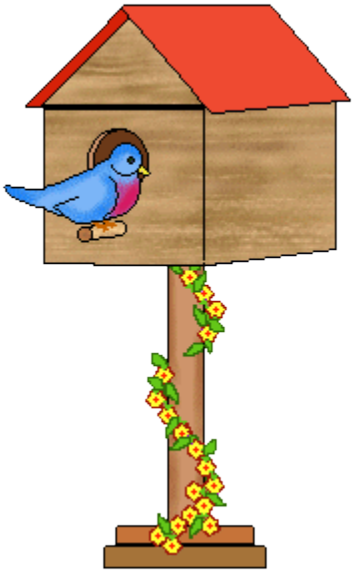
## Relationship:

Our relationships with each other are, again, improved. Ultimately our relationship with Father God is improved.

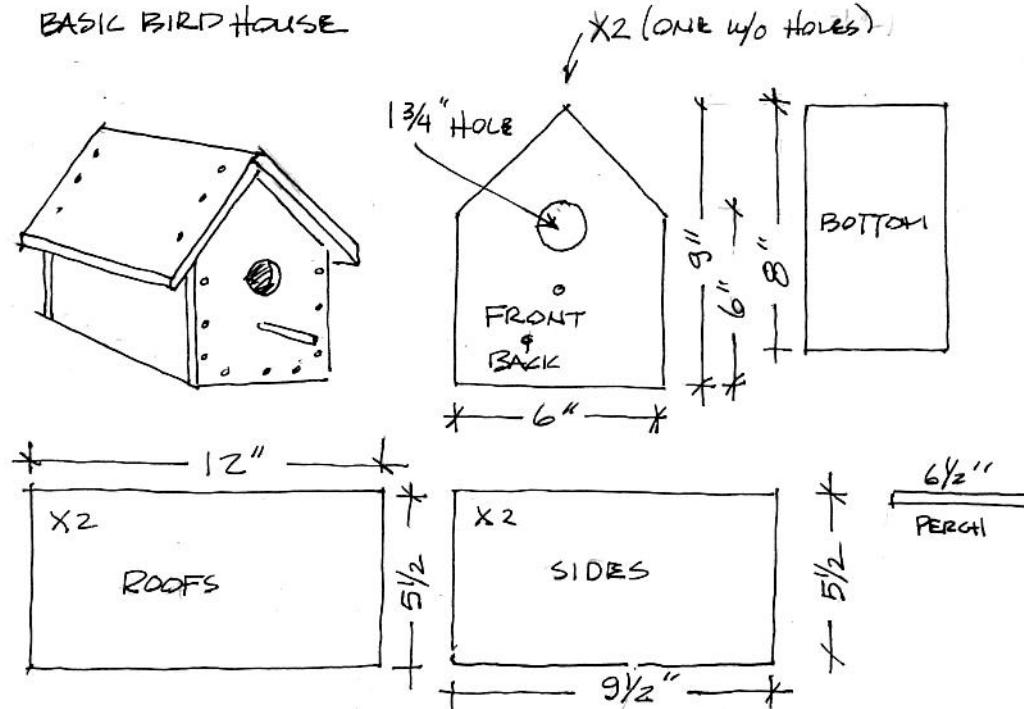
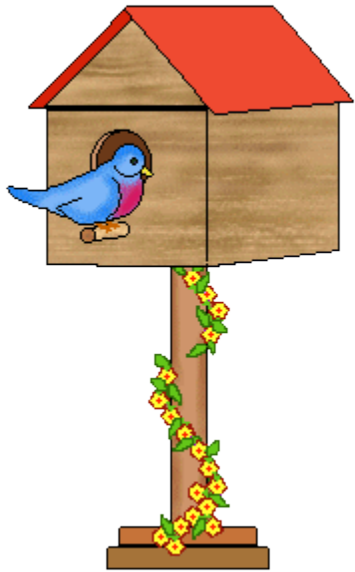
Remember the phrase at the end of the parable?  
“Come and share your master's happiness!”

# Illustration 1: The project

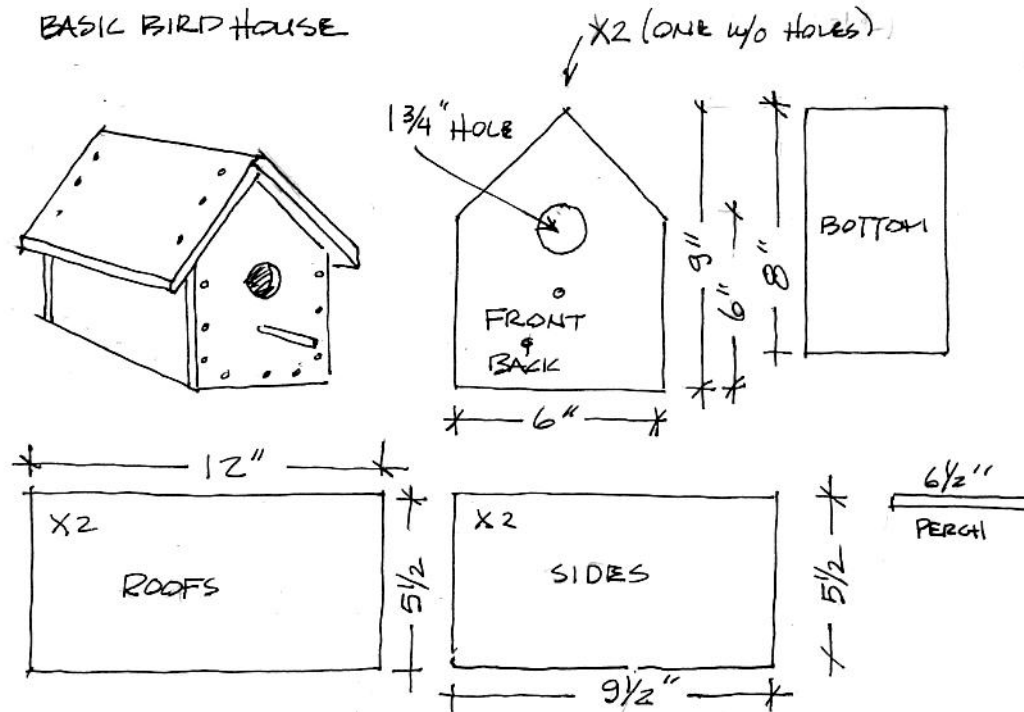
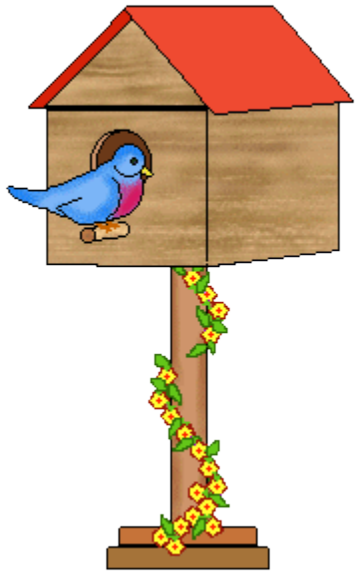
# Illustration 1: The project



# Illustration 1: The project



# Illustration 1: The project



What if it doesn't turn out the way you expected?



# Illustration 1: The project

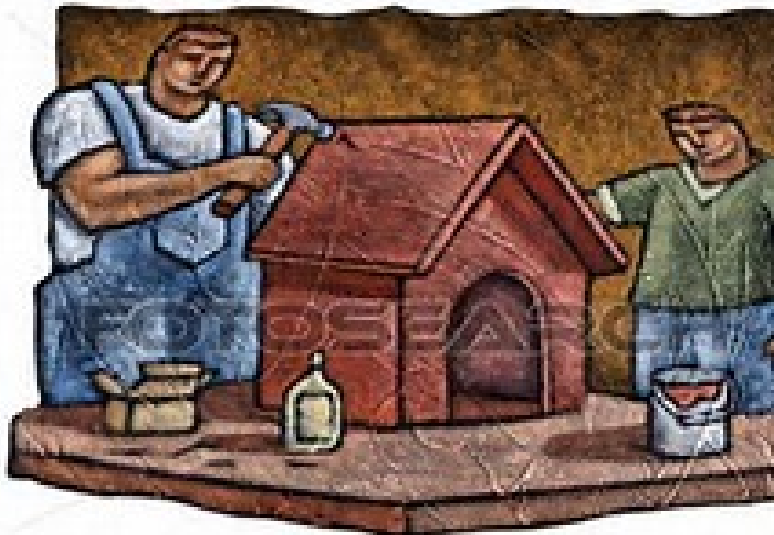


# Illustration 1: The project

The value is in the Relationship. Working with the master and enjoying His happiness is the best part.

# Illustration 1: The project

The value is in the Relationship. Working with the master and enjoying His happiness is the best part.



# Illustration 1: The project

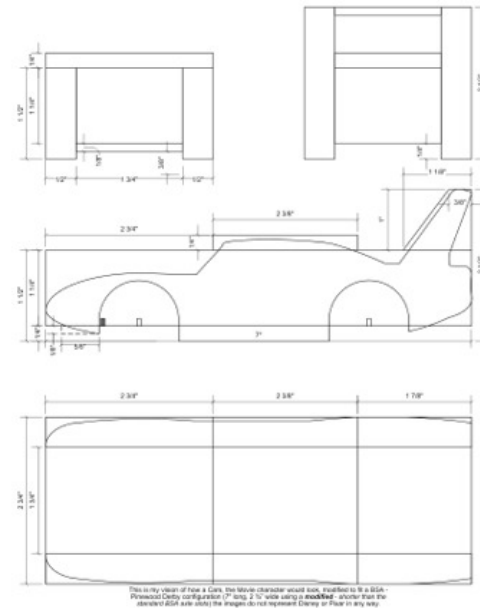
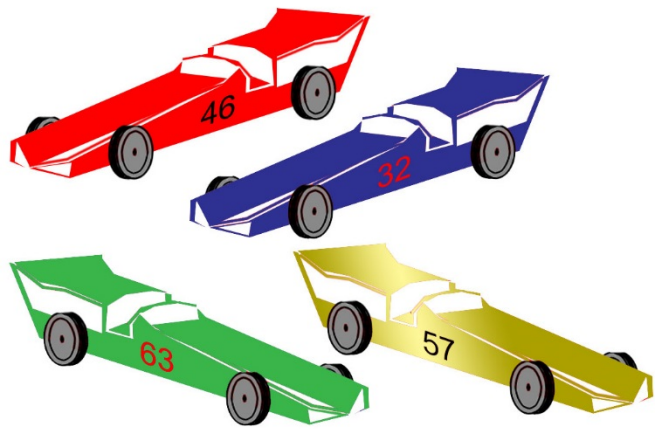
The value is in the Relationship. Working with the master and enjoying His happiness is the best part.



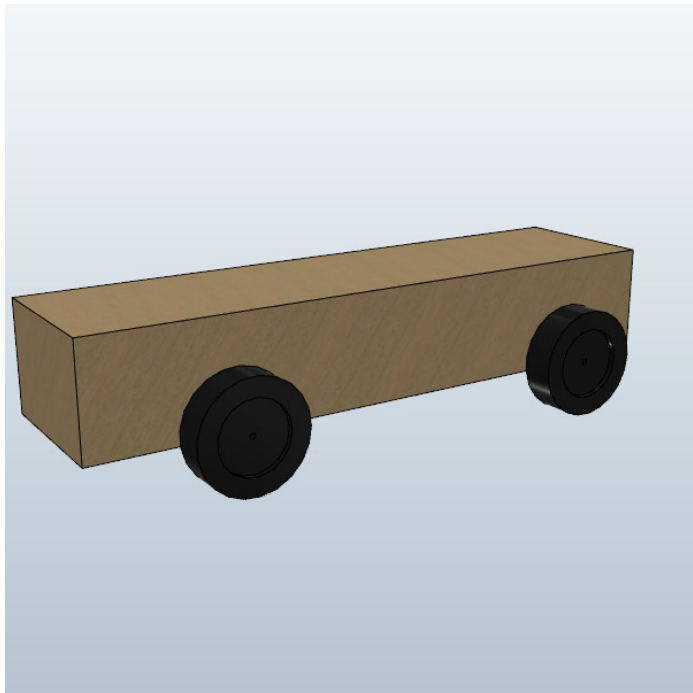
x17677665 fotosearch.com



Copyright © 2008 by The McGraw-Hill Companies



This is the view of Figure 4. Cars, the Model character would look, modified to fit a 2.5" diameter circle and a 1.10" diameter circle. (The 2.5" wide circle is marked "circle" from the abstract 2.5" wide circle) the images do not represent Energy or Power in any way.



## Illustration 2: The sports car

What happens when we accept his gifts but we use them as if they were purely ours?

## Illustration 2: The sports car

What happens when we accept his gifts but we use them as if they were purely ours?

Ownership = “This is mine and I will do what I like with it.

## Illustration 2: The sports car

What happens when we accept his gifts but we use them as if they were purely ours?

Ownership = “This is mine and I will do what I like with it.

Stewardship = “God has placed this in my hands. How can I honor Him and enjoy him in these circumstances?”



## Illustration 2: The sports car









What about the times when life isn't about building bird houses or enjoying a new car?

What about the times when life isn't about building bird houses or enjoying a new car?

Ephesians 5:20

always giving thanks to God the Father for everything, in the name of our Lord Jesus Christ.

1<sup>st</sup> Corinthians 2:2

**2** For I resolved to know nothing while I was with you except Jesus Christ and him crucified.

James 1:17

**17** Every good and perfect gift is from above, coming down from the Father of the heavenly lights, who does not change like shifting shadows.



Review:

# Review:

- We are all stewards; a caretaker, of what the master has placed in our hands.

# Review:

- We are all stewards; a caretaker, of what the master has placed in our hands.
- Everything, even our very existence is His and is subject to His ownership and authority.

# Review:

- We are all stewards; a caretaker, of what the master has placed in our hands.
- Everything, even our very existence is His and is subject to His ownership and authority.
- There is a lot of freedom that come from knowing that the King of the universe is in charge of absolutely everything and he loves you!

## Review:

- We are all stewards; a caretaker, of what the master has placed in our hands.
- Everything, even our very existence is His and is subject to His ownership and authority.
- There is a lot of freedom that come from knowing that the King of the universe is in charge of absolutely everything and he loves you!

Enjoy your Master's happiness!